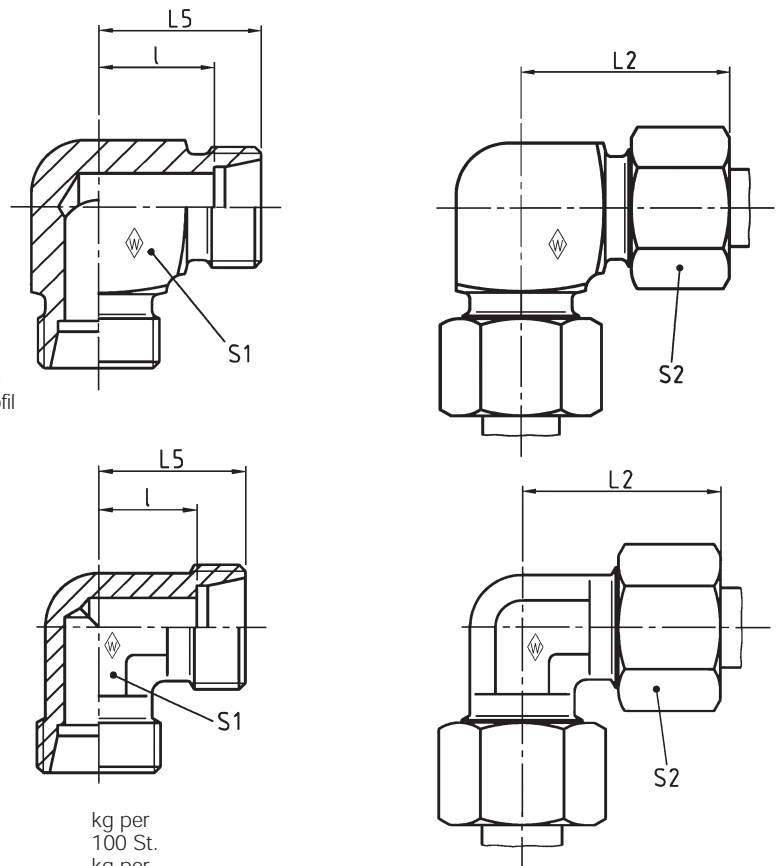


Winkel-Stutzen  
 Equal elbow (body only)  
 Union querre (corps)



WS .....



Rohr-AD 4 bis 12 mm = Profilmaterial  
 Tube OD 4 to 12 mm = profile material  
 Tube Ø ext. 4 - 12 mm = matériau profil

E

| Reihe<br>Series<br>S rie | PN<br>bar<br>(psi) | Rohr-AD<br>Tube OD<br>Tube<br>Ø ext. | Typ<br>Type<br>D signation | Best.-Nr.<br>Reference<br>R f. | kg per<br>100 St.<br>kg per<br>100 pcs.<br>kg par<br>100 p. | L <sub>2</sub> | L <sub>5</sub> | l    | S <sub>1</sub> | S <sub>2</sub> |
|--------------------------|--------------------|--------------------------------------|----------------------------|--------------------------------|---|----------------|----------------|------|----------------|----------------|
| LL                       | 100<br>(1450)      | 4                                    | <b>WS 4 LL</b>             | <b>037863</b>                  | 1,2   | 21             | 15             | 11   | 8              | 10             |
|                          |                    | 6                                    | <b>WS 6 LL</b>             | <b>037865</b>                  | 1,4   | 21             | 15             | 9,5  | 11             | 12             |
|                          |                    | 8                                    | <b>WS 8 LL</b>             | <b>037866</b>                  | 2,2   | 23             | 17             | 11,5 | 12             | 14             |
| L                        | 500<br>(7252)      | 6                                    | <b>WS 6 L</b>              | <b>037867</b>                  | 2,8   | 27             | 19             | 12   | 12             | 14             |
|                          |                    | 8                                    | <b>WS 8 L</b>              | <b>037868</b>                  | 4,1   | 29             | 21             | 14   | 14             | 17             |
|                          |                    | 10                                   | <b>WS 10 L</b>             | <b>037869</b>                  | 5,7   | 30             | 22             | 15   | 17             | 19             |
|                          | 400<br>(5801)      | 12                                   | <b>WS 12 L</b>             | <b>037870</b>                  | 8,0   | 32             | 24             | 17   | 19             | 22             |
|                          |                    | 15                                   | <b>WS 15 L</b>             | <b>037871</b>                  | 7,5   | 36             | 28             | 21   | 19             | 27             |
|                          |                    | 18                                   | <b>WS 18 L</b>             | <b>037872</b>                  | 11,2  | 40             | 31             | 23,5 | 24             | 32             |
| S                        | 250<br>(3626)      | 22                                   | <b>WS 22 L</b>             | <b>037873</b>                  | 14,9  | 44             | 35             | 27,5 | 27             | 36             |
|                          |                    | 28                                   | <b>WS 28 L</b>             | <b>037874</b>                  | 25,2  | 47             | 38             | 30,5 | 36             | 41             |
|                          |                    | 35                                   | <b>WS 35 L</b>             | <b>037875</b>                  | 46,5  | 56             | 45             | 34,5 | 41             | 50             |
|                          | 800<br>(11603)     | 42                                   | <b>WS 42 L</b>             | <b>037876</b>                  | 61,6  | 63             | 51             | 40   | 50             | 60             |
|                          |                    | 6                                    | <b>WS 6 S</b>              | <b>037877</b>                  | 9,4   | 31             | 23             | 16   | 14             | 17             |
| 8                        |                    | <b>WS 8 S</b>                        | <b>037878</b>              | 7,2                            | 32  | 24             | 17             | 17   | 19             |                |
| 630<br>(9137)            | 10                 | <b>WS 10 S</b>                       | <b>037879</b>              | 9,7                            | 34  | 25             | 17,5           | 19   | 22             |                |
|                          | 12                 | <b>WS 12 S</b>                       | <b>037880</b>              | 13,6                           | 38  | 29             | 21,5           | 22   | 24             |                |
|                          | 14                 | <b>WS 14 S</b>                       | <b>037881</b>              | 9,8                            | 40  | 30             | 22             | 19   | 27             |                |
|                          | 16                 | <b>WS 16 S</b>                       | <b>037882</b>              | 14,4                           | 43  | 33             | 24,5           | 24   | 30             |                |
|                          | 20                 | <b>WS 20 S</b>                       | <b>037883</b>              | 20,0                           | 48  | 37             | 26,5           | 27   | 36             |                |
|                          | 25                 | <b>WS 25 S</b>                       | <b>037884</b>              | 36,5                           | 54  | 42             | 30             | 36   | 46             |                |
| 400<br>(5801)            | 30                 | <b>WS 30 S</b>                       | <b>037885</b>              | 46,5                           | 62  | 49             | 35,5           | 41   | 50             |                |
|                          | 38                 | <b>WS 38 S</b>                       | <b>037886</b>              | 66,0                           | 72  | 57             | 41             | 50   | 60             |                |

L<sub>2</sub> = Ungef hrmaß bei angezogener Überwurfmutter  
 L<sub>2</sub> = approximate length with nut tightened  
 L<sub>2</sub> = longueur approximative, l' crou tant bloqu