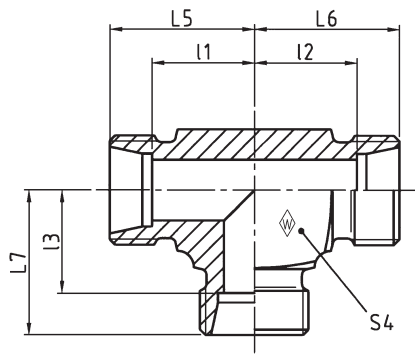


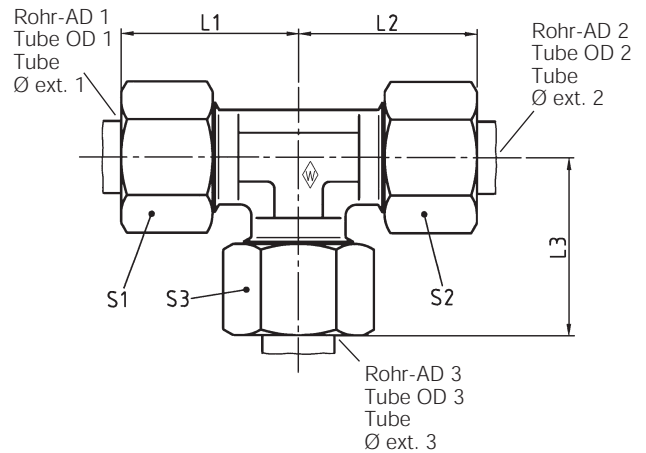
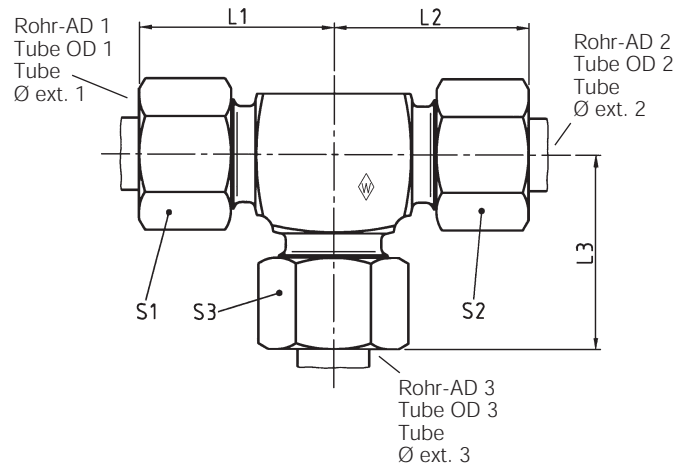
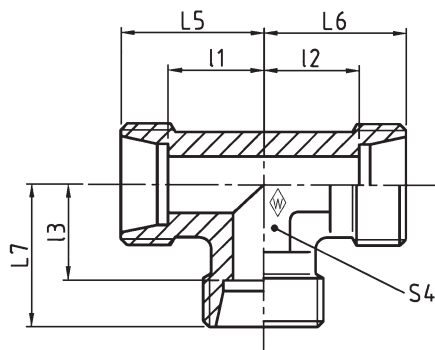
T-Reduzierstutzen
 Reducing Tee (body only)
 Union t de r duction (corps)



TS.../.../...



Rohr-AD 4 bis 12 mm = Profilmaterial
 Tube OD 4 to 12 mm = profile material
 Tube Ø ext. 4 - 12 mm = mat riau profil



| Reihe Series | PN bar (psi) | Rohr-AD Tube OD Tube Ø ext. | | | Typ Type D signation | Best.-Nr. Reference R f. | kg per 100 St. kg per 100 pcs. kg par 100 p. | l ₁ | l ₂ | l ₃ | L ₁ | L ₂ | L ₃ | L ₅ | L ₆ | L ₇ | S ₁ | S ₂ | S ₃ | S ₄ | |
|-----------------|--------------------|-----------------------------------|----|----|----------------------------|--------------------------------|---|----------------|----------------|----------------|----------------|----------------|----------------|----------------|----------------|----------------|----------------|----------------|----------------|----------------|----|
| | | 1 | 2 | 3 | | | | | | | | | | | | | | | | | |
| L | 500 (7252) | 10 | 10 | 6 | TS 10/10/ 6 L | 027761 | 5,8 | 15 | 15 | 15 | 30 | 30 | 30 | 22 | 22 | 22 | 17 | 19 | 14 | 17 | |
| | | 10 | 10 | 8 | TS 10/10/ 8 L | 029472 | 5,8 | 15 | 15 | 15 | 30 | 30 | 30 | 22 | 22 | 22 | 17 | 19 | 17 | 17 | |
| | | | 12 | 12 | 6 | TS 12/12/ 6 L | 025465 | 8,9 | 17 | 17 | 17 | 32 | 32 | 32 | 24 | 24 | 24 | 22 | 22 | 14 | 19 |
| | | | 12 | 12 | 8 | TS 12/12/ 8 L | 027710 | 8,7 | 17 | 17 | 17 | 32 | 32 | 32 | 24 | 24 | 24 | 22 | 22 | 17 | 19 |
| | | | 12 | 12 | 10 | TS 12/12/10 L | 024215 | 8,9 | 17 | 17 | 17 | 32 | 32 | 32 | 24 | 24 | 24 | 22 | 22 | 19 | 19 |
| | | | 12 | 12 | 15 | TS 12/12/15 L | 060044 | 7,9 | 21 | 21 | 21 | 36 | 36 | 36 | 28 | 28 | 28 | 22 | 22 | 27 | 19 |
| | | | 15 | 12 | 12 | TS 15/12/12 L | 028939 | 8,0 | 21 | 21 | 21 | 36 | 36 | 36 | 28 | 28 | 28 | 27 | 22 | 22 | 19 |
| | | | 15 | 12 | 15 | TS 15/12/15 L | 024959 | 8,0 | 21 | 21 | 21 | 36 | 36 | 36 | 28 | 28 | 28 | 27 | 22 | 27 | 19 |
| | | 400 (5801) | 15 | 15 | 8 | TS 15/15/ 8 L | 025033 | 7,7 | 21 | 21 | 21 | 36 | 36 | 36 | 28 | 28 | 28 | 27 | 27 | 17 | 19 |
| | | | 15 | 15 | 10 | TS 15/15/10 L | 060051 | 8,0 | 21 | 21 | 21 | 36 | 36 | 36 | 28 | 28 | 28 | 27 | 27 | 19 | 19 |
| | | | 15 | 15 | 12 | TS 15/15/12 L | 029473 | 8,7 | 21 | 21 | 21 | 36 | 36 | 36 | 28 | 28 | 28 | 27 | 27 | 22 | 19 |
| | | | 18 | 12 | 12 | TS 18/12/12 L | 064007 | 15,0 | 23,5 | 24 | 24 | 40 | 39 | 39 | 31 | 31 | 31 | 32 | 22 | 22 | 24 |
| | | | 18 | 18 | 10 | TS 18/18/10 L | 029620 | 15,0 | 23,5 | 23,5 | 24 | 40 | 40 | 39 | 31 | 31 | 31 | 32 | 32 | 19 | 24 |
| | | | 18 | 18 | 12 | TS 18/18/12 L | 028666 | 15,3 | 23,5 | 23,5 | 24 | 40 | 40 | 39 | 31 | 31 | 31 | 32 | 32 | 22 | 24 |
| | | | 18 | 18 | 15 | TS 18/18/15 L | 066450 | 15,5 | 23,5 | 23,5 | 24 | 40 | 40 | 39 | 31 | 31 | 31 | 32 | 32 | 27 | 24 |
| | | | 22 | 22 | 10 | TS 22/22/10 L | 025467 | 20,1 | 27,5 | 27,5 | 28 | 44 | 44 | 43 | 35 | 35 | 35 | 36 | 36 | 19 | 27 |
| | 250 (3626) | 22 | 22 | 15 | TS 22/22/15 L | 060866 | 20,6 | 27,5 | 27,5 | 28 | 44 | 44 | 43 | 35 | 35 | 35 | 36 | 36 | 27 | 27 | |
| | | 28 | 22 | 22 | TS 28/22/22 L | 063243 | 34,0 | 30,5 | 30,5 | 30,5 | 47 | 47 | 47 | 38 | 38 | 38 | 41 | 36 | 36 | 36 | |
| | | 28 | 28 | 22 | TS 28/28/22 L | 060956 | 33,2 | 30,5 | 30,5 | 30,5 | 47 | 47 | 47 | 38 | 38 | 38 | 41 | 41 | 36 | 36 | |

L₁, L₂ und L₃ = Ungef hrmaße bei angezogenen Überwurfmuttern
 L₁, L₂ and L₃ = approximate lengths with nuts tightened
 L₁, L₂ et L₃ = longueurs approximatives, les crous tant bloqu s