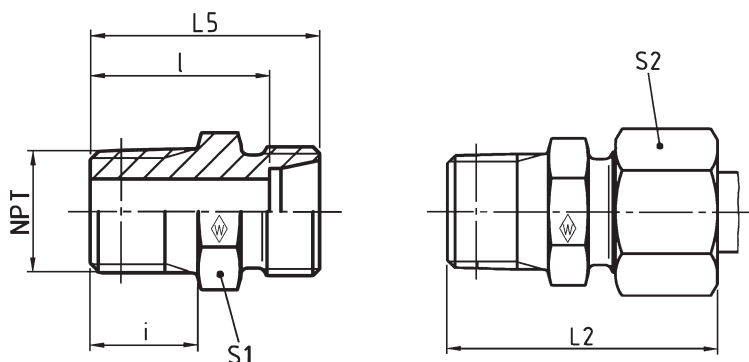


Gerade-Einschraubstutzen
Male stud coupling (body only)
Union simple male (corps)



GES NPT

Einschraubgewinde: NPT (ANSI/ASME B1.20.1-1983)
Stud thread: NPT (ANSI/ASME B1.20.1-1983)
Filetage m le: NPT (ANSI/ASME B1.20.1-1983)



| Reihe Series S rie | PN bar (psi) | Rohr-AD Tube OD Tube Ø ext. | NPT | Typ Type D signation | Best.-Nr. Reference R f. | kg per 100 St. kg per 100 pcs. kg par 100 p. | L ₂ | L ₅ | l | i | S ₁ | S ₂ |
|--------------------------|--------------------|--------------------------------------|---------------------------|----------------------------|--------------------------------|---|----------------|----------------|------|----|----------------|----------------|
| LL | 100 (1450) | 4 | 1/8 NPT | GES 4 LL/1/8 NPT | 037528 | 1,0 | 28 | 22 | 18 | 10 | 11 | 10 |
| | | 6 | 1/8 NPT | GES 6 LL/1/8 NPT | 037530 | 1,0 | 28 | 22 | 16,5 | 10 | 11 | 12 |
| | | 8 | 1/8 NPT | GES 8 LL/1/8 NPT | 037531 | 1,0 | 30 | 24 | 18,5 | 10 | 12 | 14 |
| L | 315 (4569) | 6 | 1/8 NPT | GES 6 L/1/8 NPT | 037532 | 1,2 | 32 | 24 | 17 | 10 | 12 | 14 |
| | | 6 | 1/4 NPT | GES 6 L/1/4 NPT | 037533 | 2,6 | 38 | 30 | 23 | 15 | 17 | 14 |
| | | 8 | 1/4 NPT | GES 8 L/1/4 NPT | 037534 | 2,6 | 38 | 30 | 23 | 15 | 17 | 17 |
| | | 10 | 1/4 NPT | GES 10 L/1/4 NPT | 037535 | 2,7 | 39 | 31 | 24 | 15 | 17 | 19 |
| | | 10 | 3/8 NPT | GES 10 L/3/8 NPT | 037536 | 3,7 | 40 | 32 | 25 | 15 | 19 | 19 |
| | | 12 | 1/4 NPT | GES 12 L/1/4 NPT | 037537 | 3,3 | 40 | 32 | 25 | 15 | 19 | 22 |
| | | 12 | 3/8 NPT | GES 12 L/3/8 NPT | 037538 | 3,6 | 40 | 32 | 25 | 15 | 19 | 22 |
| | | 12 | 1/2 NPT | GES 12 L/1/2 NPT | 037539 | 6,4 | 45 | 37 | 30 | 20 | 24 | 22 |
| | | 15 | 1/2 NPT | GES 15 L/1/2 NPT | 037540 | 6,3 | 46 | 38 | 31 | 20 | 24 | 27 |
| | | 18 | 1/2 NPT | GES 18 L/1/2 NPT | 037541 | 7,3 | 48 | 39 | 31,5 | 20 | 27 | 32 |
| | 160 (2321) | 22 | 3/4 NPT | GES 22 L/3/4 NPT | 037542 | 10,1 | 50 | 41 | 33,5 | 20 | 32 | 36 |
| | | 28 | 1 NPT | GES 28 L/1 NPT | 037543 | 17,9 | 56 | 47 | 39,5 | 25 | 41 | 41 |
| | | 35 | 1 1/4 NPT | GES 35 L/1 1/4 NPT | 037544 | 25,7 | 62 | 51 | 40,5 | 26 | 46 | 50 |
| | | 42 | 1 1/2 NPT | GES 42 L/1 1/2 NPT | 037545 | 35,1 | 65 | 53 | 42 | 26 | 55 | 60 |
| S | 630 (9137) | 6 | 1/4 NPT | GES 6 S/1/4 NPT | 037546 | 3,6 | 43 | 35 | 28 | 15 | 17 | 17 |
| | | 8 | 1/4 NPT | GES 8 S/1/4 NPT | 037547 | 3,8 | 43 | 35 | 28 | 15 | 17 | 19 |
| | | 10 | 1/4 NPT | GES 10 S/1/4 NPT | 037548 | 4,2 | 44 | 35 | 27,5 | 15 | 19 | 22 |
| | | 10 | 3/8 NPT | GES 10 S/3/8 NPT | 037549 | 4,9 | 44 | 35 | 27,5 | 15 | 19 | 22 |
| | | 12 | 1/4 NPT | GES 12 S/1/4 NPT | 037550 | 5,8 | 46 | 37 | 29,5 | 15 | 22 | 24 |
| | | 12 | 3/8 NPT | GES 12 S/3/8 NPT | 037551 | 6,1 | 46 | 37 | 29,5 | 15 | 22 | 24 |
| | | 12 | 1/2 NPT | GES 12 S/1/2 NPT | 037552 | 8,4 | 51 | 42 | 34,5 | 20 | 22 | 24 |
| | | 14 | 1/2 NPT | GES 14 S/1/2 NPT | 037553 | 9,0 | 54 | 44 | 36 | 20 | 24 | 27 |
| | | 16 | 1/2 NPT | GES 16 S/1/2 NPT | 037554 | 9,3 | 54 | 44 | 35,5 | 20 | 27 | 30 |
| | | 20 | 3/4 NPT | GES 20 S/3/4 NPT | 037555 | 14,9 | 59 | 48 | 37,5 | 20 | 32 | 36 |
| 400 (5801) | 25 | 1 NPT | GES 25 S/1 NPT | 037556 | 27,6 | 69 | 57 | 45 | 25 | 41 | 46 | |
| | 30 | 1 1/4 NPT | GES 30 S/1 1/4 NPT | 037557 | 40,0 | 73 | 60 | 46,5 | 26 | 46 | 50 | |
| | 38 | 1 1/2 NPT | GES 38 S/1 1/2 NPT | 037558 | 57,4 | 80 | 65 | 49 | 26 | 55 | 60 | |

L₂ = Ungef hrmaß bei angezogener Überwurfmutter
L₂ = approximate length with nut tightened
L₂ = longueur approximative, l' crou tant bloqu

Kegelige Einschraublicher NPT (ANSI/ASME B1.20.1-1983)
Taper port form NPT (ANSI/ASME B1.20.1-1983)
Trous taraud s coniques NPT (ANSI/ASME B1.20.1-1983)