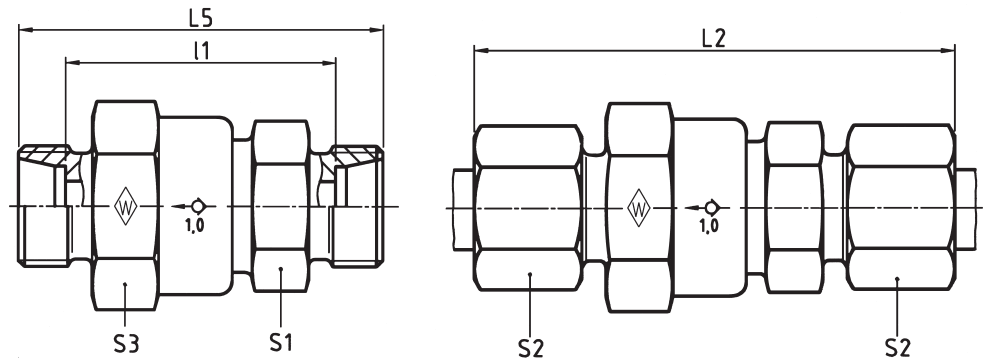


Rückschlagventil (Stutzen)
 Non-return valve (body only)
 Clapet anti-retour (corps)



RS

Beidseitiger Rohranschluß
 Tube connection both ends
 Raccord sur tube des deux c t s



Reihe Series	PN bar (psi)	Rohr-AD Tube OD Tube Ø ext.	Typ Type D signation	Best.-Nr. Reference R f.	kg per 100 St. kg per 100 pcs. kg par 100 p.	L ₂	L ₅	l ₁	S ₁	S ₂	S ₃	Ø entspr. Durchlaß Ø outlet Ø de pas- sage corres- pondant
L	400 (5801)	6	RS 6 L	068052	12,0	67	52	38	22	14	27	4,0
		8	RS 8 L	067394	12,5	67	52	38	22	17	27	6,0
		10	RS 10 L	067395	11,5	67	52	38	22	19	27	7,5
		12	RS 12 L	066490	12,5	68	53	39	22	22	27	7,5
		15	RS 15 L	067396	18,5	74	58	44	27	27	32	11,0
		18	RS 18 L	063191	23,0	80	63	48	27	32	32	11,0
	250 (3626)	22	RS 22 L	067397	51,1	92	75	60	41	36	46	18,5
		28	RS 28 L	066743	57,0	99	81	66	41	41	46	18,5
		35	RS 35 L	067398	130,5	114	92	71	60	50	70	29,0
		42	RS 42 L	067399	123,4	101	87	65	60	60	70	29,0
S	400 (5801)	6	RS 6 S	067400	13,0	71	56	42	22	17	27	4,0
		8	RS 8 S	067401	12,0	67	52	38	22	19	27	5,0
		10	RS 10 S	067402	13,0	71	54	39	22	22	27	7,0
		12	RS 12 S	063381	14,0	72	55	40	22	24	27	7,5
		14	RS 14 S	067403	18,5	81	62	46	27	27	32	10,0
		16	RS 16 S	025190	22,0	84	65	48	27	30	32	11,0
	250 (3626)	20	RS 20 S	067404	66,2	100	78	57	41	36	46	16,0
		25	RS 25 S	067405	53,0	105	81	57	41	46	46	18,5
		30	RS 30 S	067406	81,0	117	91	64	50	50	55	24,0
		38	RS 38 S	067407	136,8	128	99	67	60	60	70	29,0

L = Ungef hrmaß bei angezogenen Überwurfmuttern
 L = approximate length with nuts tightened
 L = longueur approximative, les crous tant bloqu s

